

CELTIC

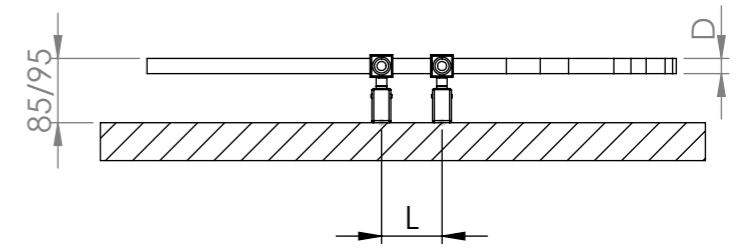
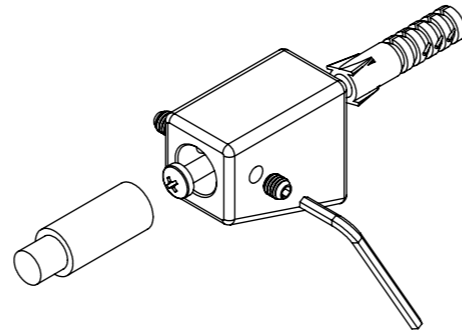
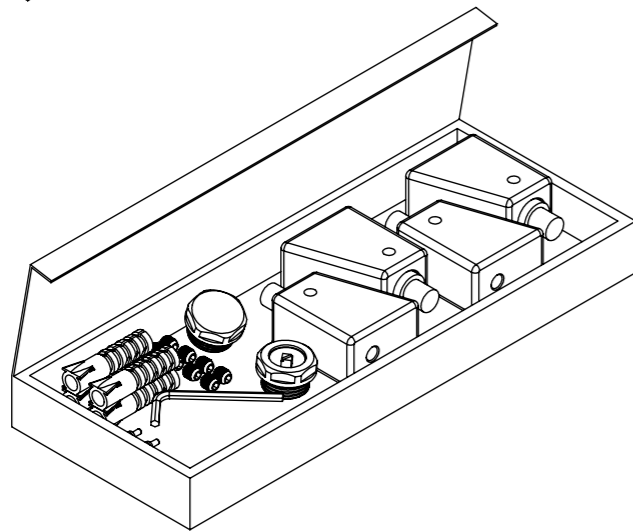
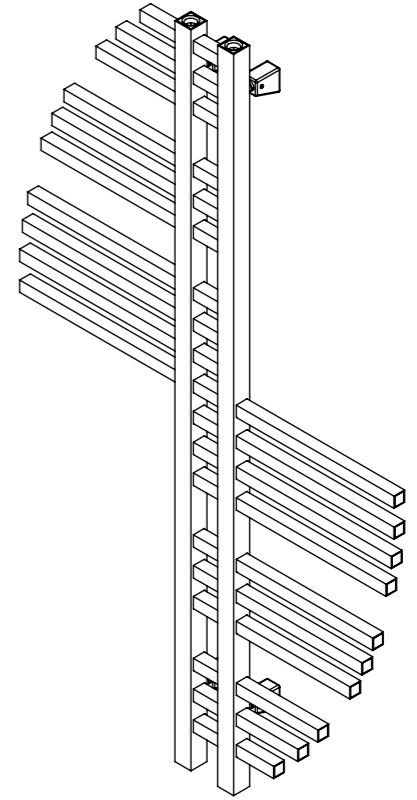
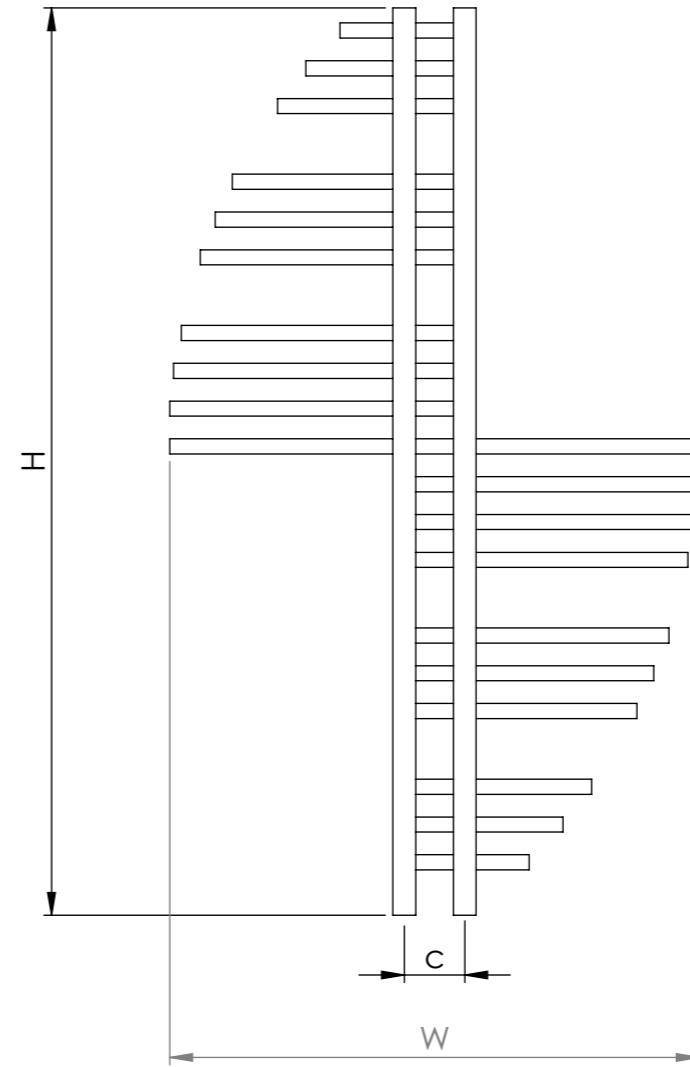
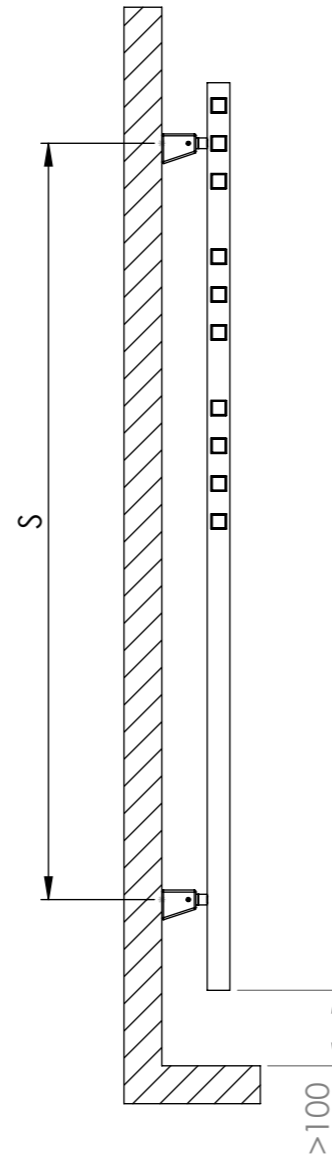
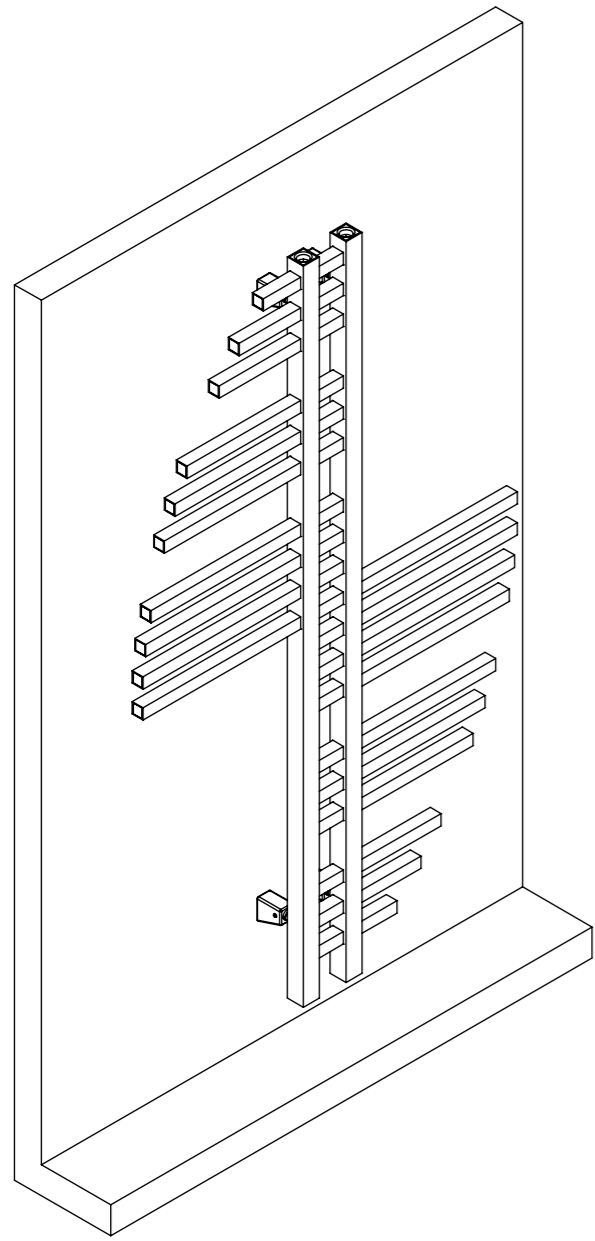


carisa[®]
design radiator

The contents of this document are property of Termosan[®] and should not be copied, reproduced or disclosed to a third party without written consent of the proprietor.

www.carisa.com.tr

www.termosan.com
info@termosan.com



Product Code	Width	Height	Depth	Connection	Tube	Assembly Axis		Weight	Water
	W	H	D	C		S	L	kg.	lt.
CEL0700120019	700	1200	20	80	19	80	1000	7,3	2,9